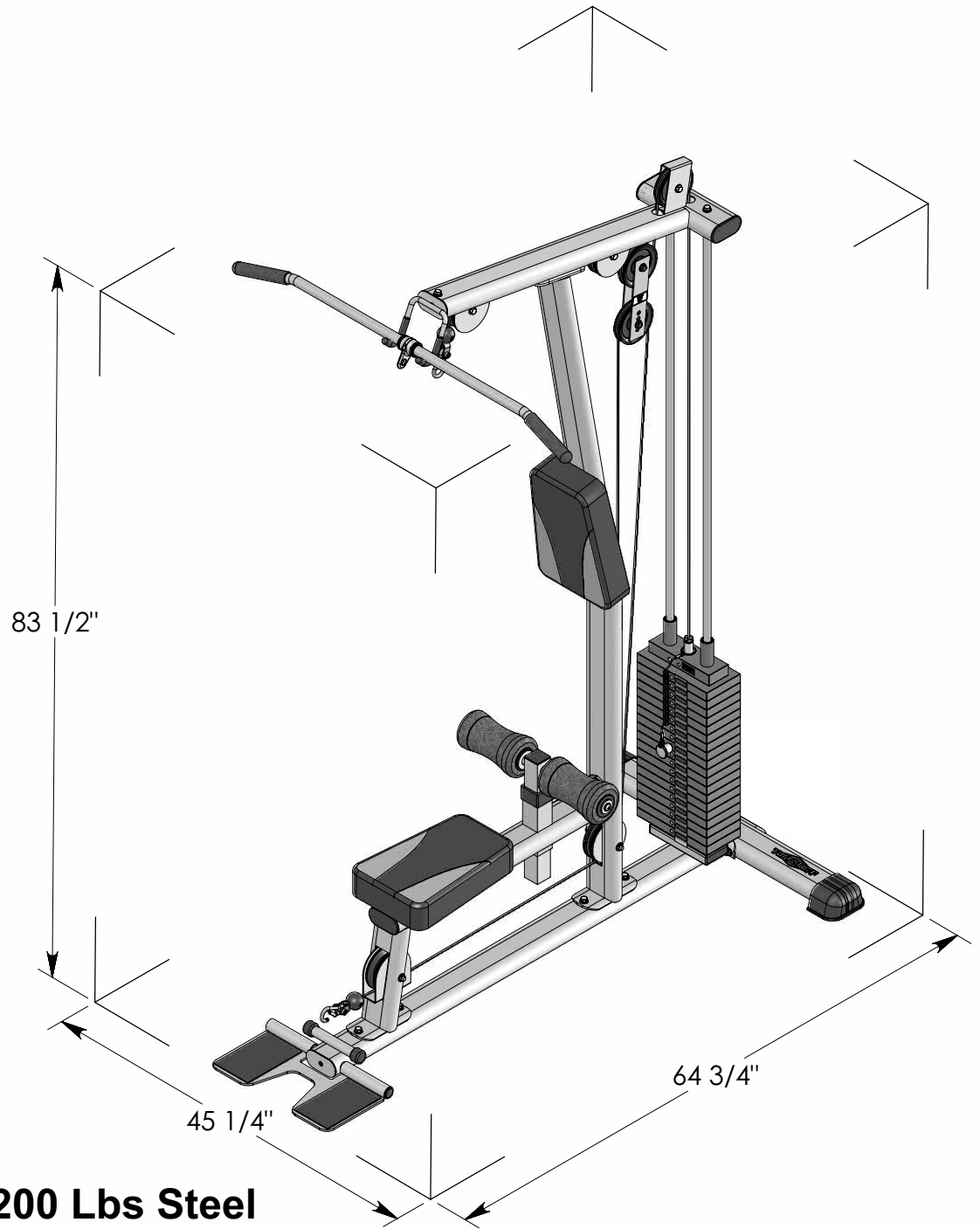


OWNER'S MANUAL



RLM-855WS

**Lat Machine W/200 Lbs Steel
Weight Stack**



AMERICA'S PREMIER EXERCISE EQUIPMENT

Introduction

About the Lat Machine W/200 Lbs Steel Weight Stack RLM-855WS

Congratulations on your new purchase of the **Lat Machine W/200 Lbs Steel Weight Stack**. We hope you are completely satisfied with this product and wish you many years of enjoyment.

Tuff Stuff Equipment

This Tuffstuff product has been built to precise quality standards and has been carefully packaged to ensure that damage will not occur during shipment. The Home Lifetime Warranty and signature indicating final inspection has been conducted by our line foreman, is an expression of our confidence in the completeness, the materials, and workmanship of this product.

Warranty

SEE A COPY OF WARRANTY ON BACK PAGE.

Registration Card

To avoid unnecessary delays in warranty service and to insure that a permanent record of your purchase is on file with our factory, be sure to complete the warranty registration card and send it to TuffStuff Fitness Equipment today.

Specifications

1. Maximum Wt. Capacity - 200 lbs.
2. Total Machine Weight - 375 lbs.
3. Footprint (LWH) - See Front Cover.

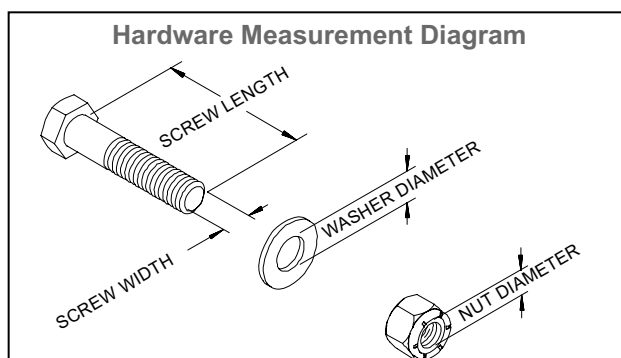
Note: Due to continuing product improvements, specifications and designs are subject to change without notice.

Prior to the Assembly of the Lat Machine W/200 Lbs Steel Weight Stack

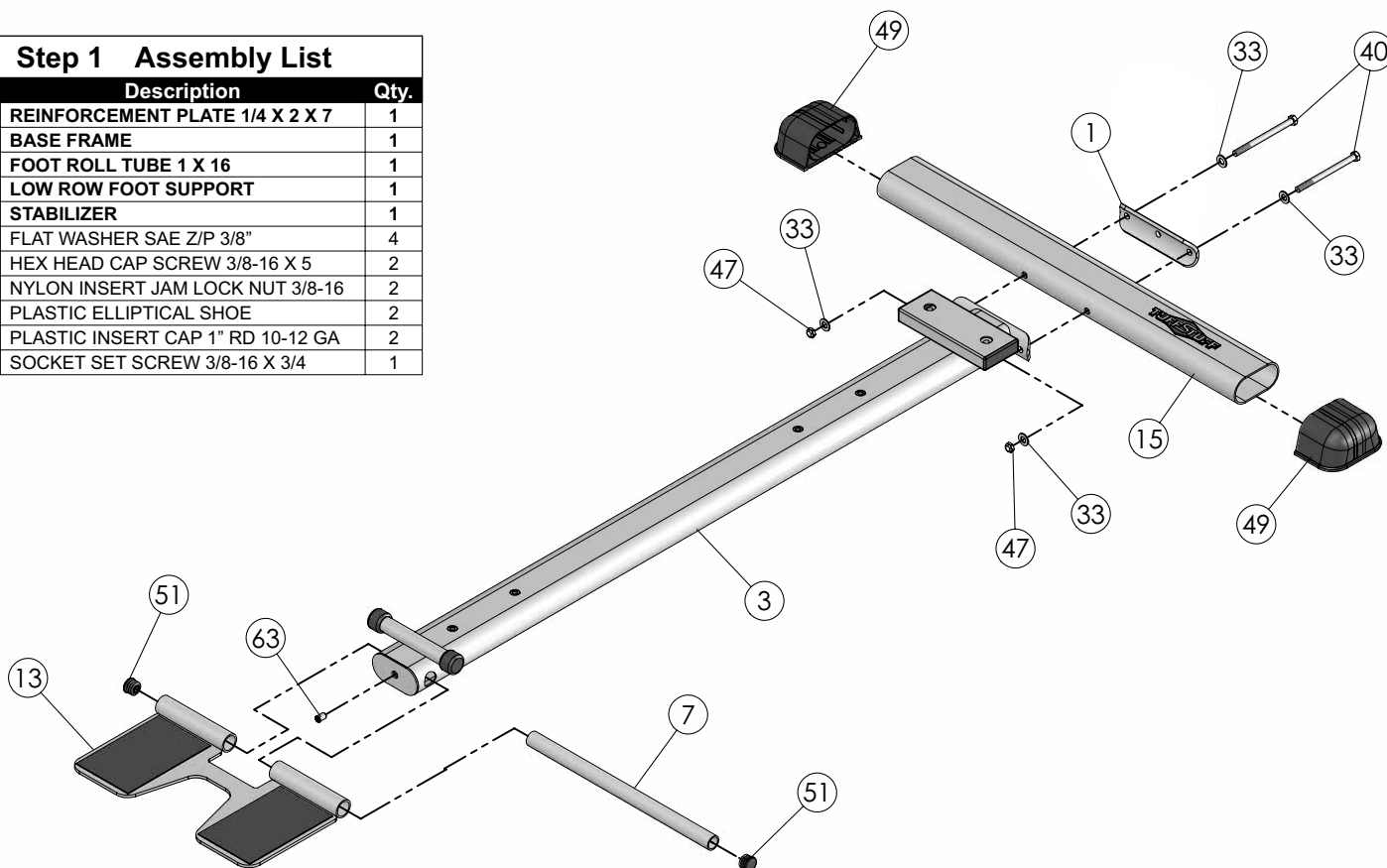
1. We advise you to consult your local Tuff Stuff retailer if you should have a question or problem regarding the proper assembly of this unit.

Tool Requirements

1. One 7/8" combination wrench
2. One 3/4" combination wrench
3. One 9/16" combination wrench
4. One ratchet
5. One 9/16" socket
6. One rubber mallet
7. Windex or household glass cleaner
8. Measuring tape
9. Utility knife

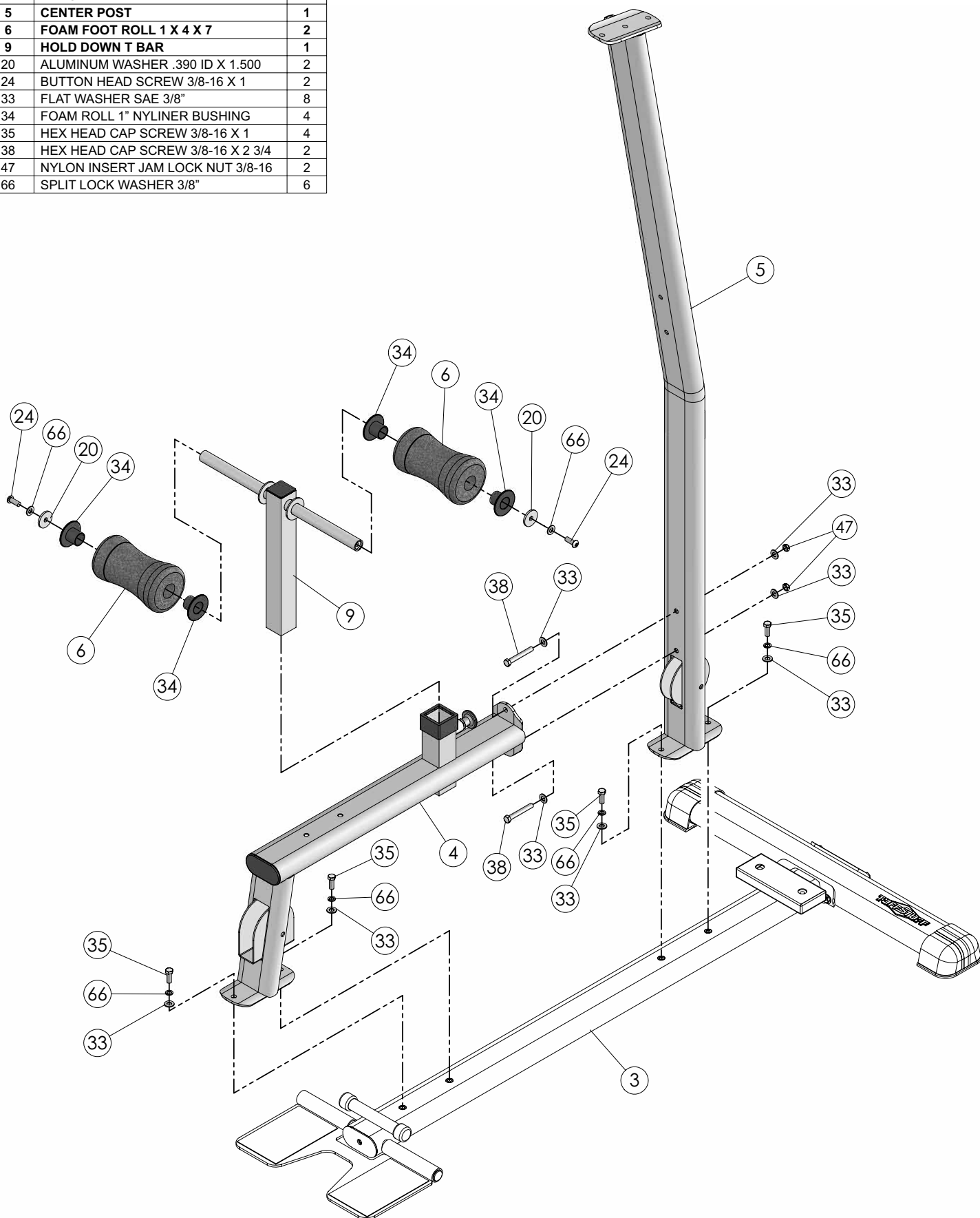


Step 1 Assembly List		
Item #	Description	Qty.
1	REINFORCEMENT PLATE 1/4 X 2 X 7	1
3	BASE FRAME	1
7	FOOT ROLL TUBE 1 X 16	1
13	LOW ROW FOOT SUPPORT	1
15	STABILIZER	1
33	FLAT WASHER SAE Z/P 3/8"	4
40	HEX HEAD CAP SCREW 3/8-16 X 5	2
47	NYLON INSERT JAM LOCK NUT 3/8-16	2
49	PLASTIC ELLIPTICAL SHOE	2
51	PLASTIC INSERT CAP 1" RD 10-12 GA	2
63	SOCKET SET SCREW 3/8-16 X 3/4	1



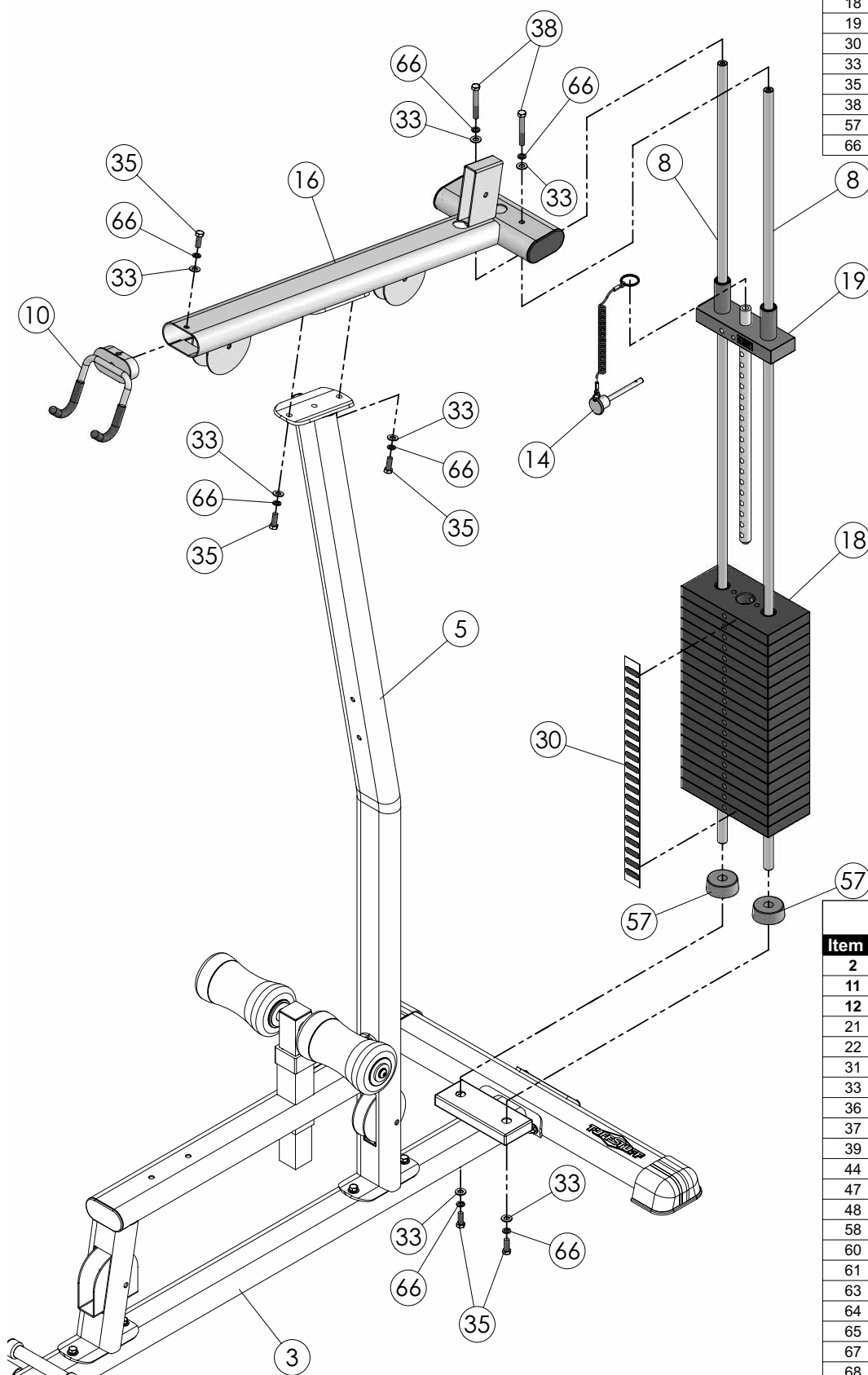
Step 2 Assembly List

Item #	Description	Qty.
4	BENCH FRAME	1
5	CENTER POST	1
6	FOAM FOOT ROLL 1 X 4 X 7	2
9	HOLD DOWN T BAR	1
20	ALUMINUM WASHER .390 ID X 1.500	2
24	BUTTON HEAD SCREW 3/8-16 X 1	2
33	FLAT WASHER SAE 3/8"	8
34	FOAM ROLL 1" NYLINER BUSHING	4
35	HEX HEAD CAP SCREW 3/8-16 X 1	4
38	HEX HEAD CAP SCREW 3/8-16 X 2 3/4	2
47	NYLON INSERT JAM LOCK NUT 3/8-16	2
66	SPLIT LOCK WASHER 3/8"	6



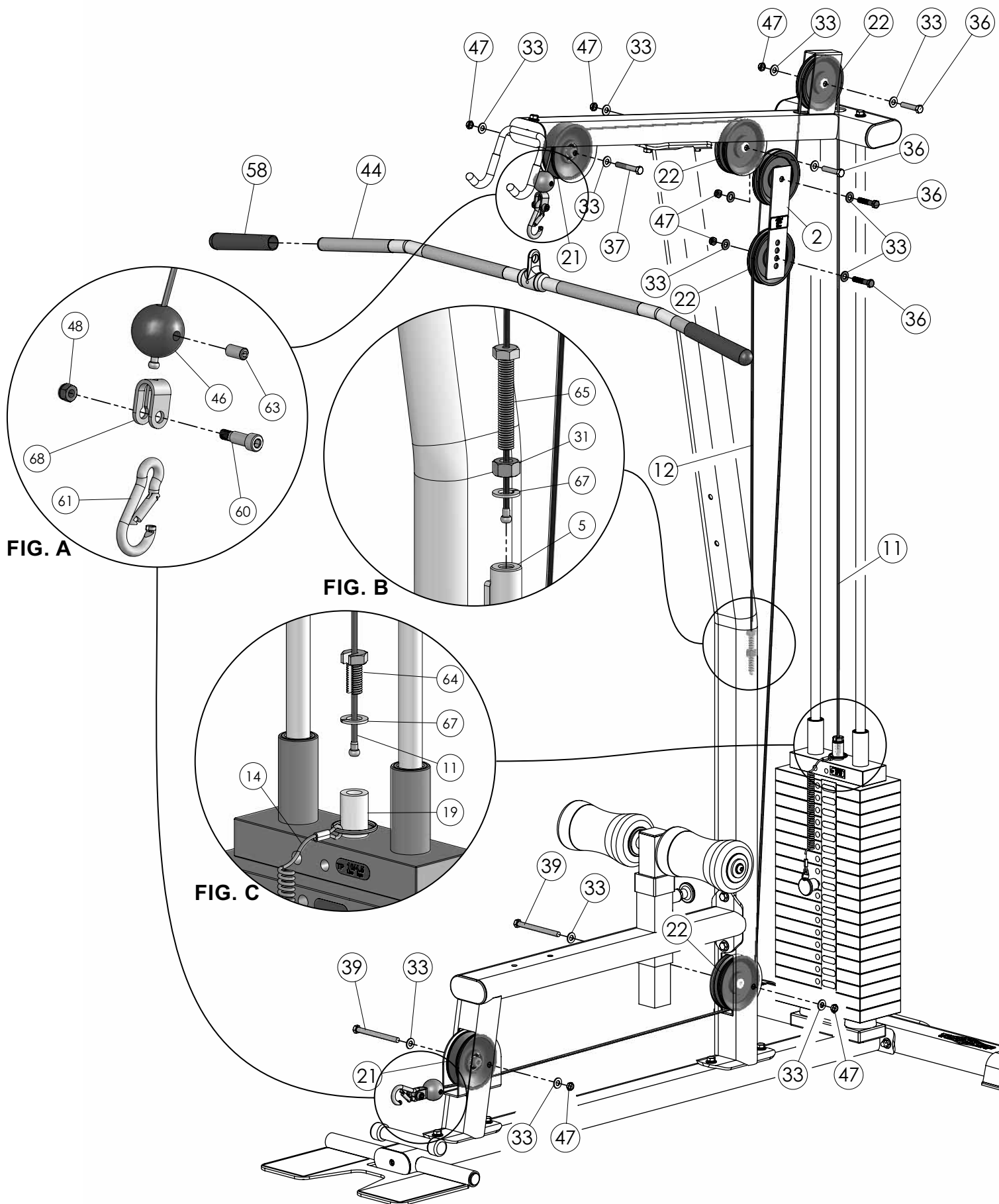
Step 3 Assembly List

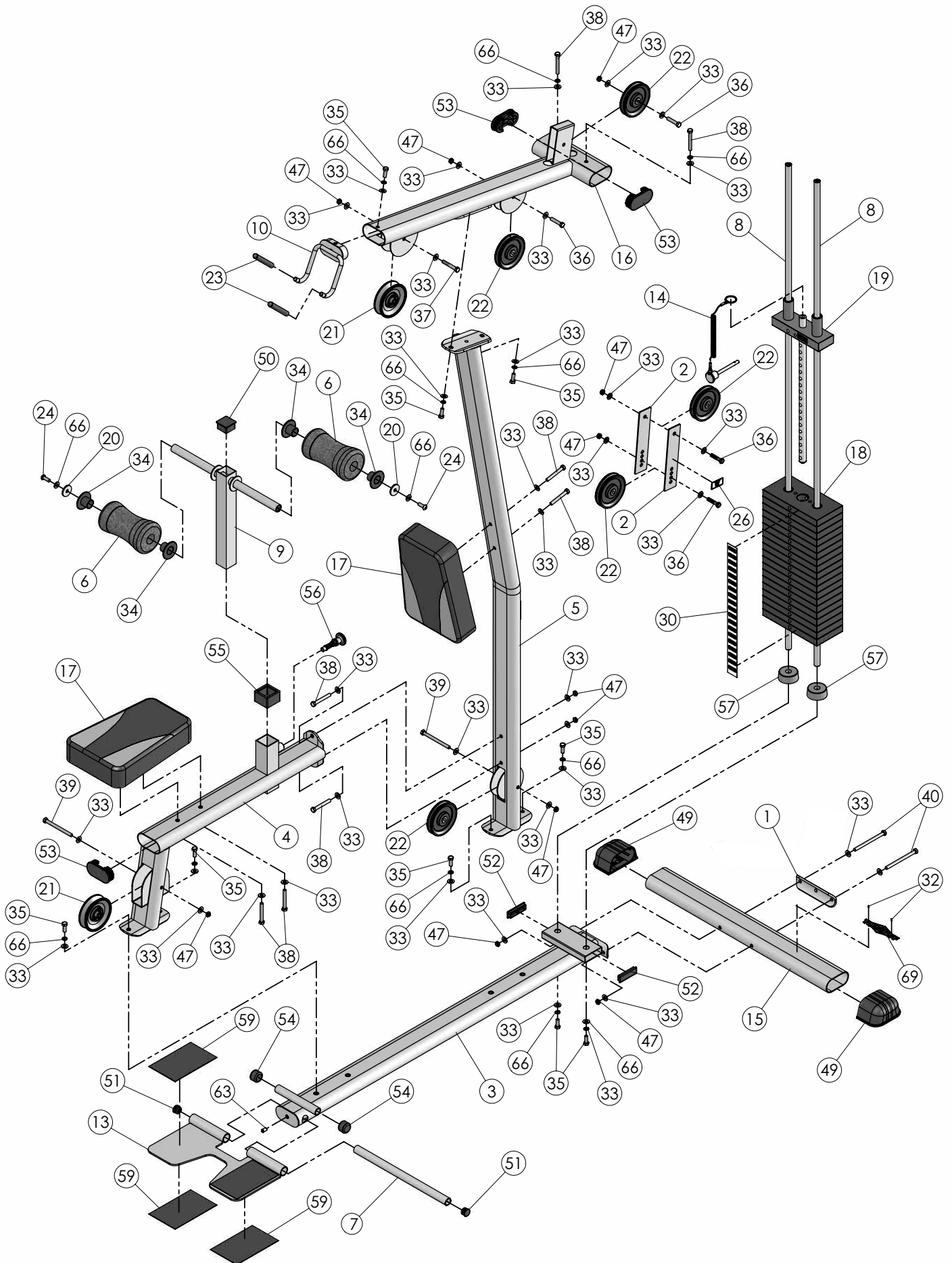
Item #	Description	Qty.
8	GUIDE ROD 3/4 X 73 1/8	2
10	LAT BAR HOLDER	1
14	SELECTOR PIN W/COIL 3/8 X 4	1
16	TOP ASSEMBLY	1
18	10 LB STEEL WEIGHT PLATE BLACK	19
19	10 LB TOP PLATE W/22" SLTR BAR	1
30	DECAL-WEIGHT NUMBERS	1
33	FLAT WASHER SAE 3/8"	7
35	HEX HEAD CAP SCREW 3/8-16 X 1	7
38	HEX HEAD CAP SCREW 3/8-16 X 2 3/4	2
57	RUBBER DONUT 3/4 X 2 1/2	2
66	SPLIT LOCK WASHER 3/8"	7



Step 4 Assembly List

Item #	Description	Qty.
2	ADJ PULLEY PLATE 1/8 X 2 X 9	2
11	LAT CABLE	1
12	LOW ROW CABLE	1
21	NYLON PULLEY 3/8 X 1 1/2 X 4 1/2	2
22	NYLON PULLEY 3/8 X 1 X 4 1/2	5
31	FINISHED HEX NUT 1/2-13	1
33	FLAT WASHER SAE 3/8"	14
36	HEX HEAD CAP SCREW 3/8-16 X 1 3/4	4
37	HEX HEAD CAP SCREW 3/8-16 X 2 3/8	1
39	HEX HEAD CAP SCREW 3/8-16 X 4 1/2	2
44	LAT BAR 48"	1
47	NYLON INSERT JAM LOCK NUT 3/8-16	7
48	NYLON INSERT LOCK NUT 5/16-18	2
58	RUBBER GRIP 1 X 6 1/4	2
60	SHOULDER BOLT 3/8 X 3/4	2
61	SNAP LINK 8MM X 80MM	3
63	SOCKET SET SCREW 3/8-16 X 3/4	3
64	SPLIT BOLT 1/2-13 X 1	1
65	SPLIT HEX TAP BOLT 1/2-13 X 3 1/2	1
67	SPLIT WASHER 1/2"	2
68	STRAP BRACKET 20 #SF20	2





COLOR CHART
BOLD FONT = SUB-ASSEMBLY PARTS
BLACK= HARDWARE

RLM-855WS

Parts List

REV0

ITEM	DESCRIPTION	REV	PART NO.	QTY	ITEM	DESCRIPTION	PART NO.	QTY
1	REINFORCEMENT PLATE 1/4 X 2 X 7 (BEND)	0	UP3720	1	36	HEX HEAD CAP SCREW GR-5 Z/P 3/8-16 X 1 3/4	BNH2040	4
2	ADJ PULLEY PLATE 1/8 X 2 X 9	0	UP0092	2	37	HEX HEAD CAP SCREW GR-5 Z/P 3/8-16 X 2 3/8	BNH2043	1
3	BASE FRAME	0	UP3915	1	38	HEX HEAD CAP SCREW GR-5 Z/P 3/8-16 X 2 3/4	BNH2045	8
4	BENCH FRAME	0	UP3916	1	39	HEX HEAD CAP SCREW GR-5 Z/P 3/8-16 X 4 1/2	BNH2052	2
5	CENTER POST	0	UP3917	1	40	HEX HEAD CAP SCREW GR-5 Z/P 3/8-16 X 5	BNH2051	2
6	FOAM FOOT ROLL 1 X 4 X 7 W/VINYL	0	UP3785	2	41	HEX KEY 3/16"	BNH0371	1
7	FOOT ROLL TUBE 1 X 16	0	UP0053	1	42	HEX KEY ALLOY 3/32"	BNH0373	1
8	GUIDE ROD 3/4 X 73 1/8	0	UP3918	2	43	HEX KEY ALLOY 7/32"	BNH0575	1
9	HOLD DOWN T BAR	0	UP3919	1	44	LAT BAR 48"	BNH0295	1
10	LAT BAR HOLDER	0	UP3744	1	45	LITHIUM GREASE SMALL CONTAINER	BNH0705	1
11	LAT CABLE	0	UP3920	1	46	NYLON BALL W/THREADED SOCKET 1 3/4 X 5/16	BNH0022	2
12	LOW ROW CABLE	0	UP3921	1	47	NYLON INSERT JAM LOCK NUT Z/P 3/8-16	BNH2026	11
13	LOW ROW FOOT SUPPORT	0	UP3922	1	48	NYLON INSERT LOCK NUT Z/P 5/16-18	BNH2056	2
14	SELECTOR PIN W/COIL 3/8 X 4	0	UP3035	1	49	PLASTIC HORIZONTAL ELLIPTICAL SHOE	BNH1847	2
15	STABILIZER	0	UP3924	1	50	PLASTIC INSERT CAP 1 3/4" SQ 10-14 GA	BNH0053	1
16	TOP ASSEMBLY	0	UP3925	1	51	PLASTIC INSERT CAP 1" RD 10-12 GA	BNH0002	2
17	UPH PAD	0	UP3914	2	52	PLASTIC INSERT CAP 1" X 3" _ 11 GA.	BNH0007	2
18	10 LB STEEL WEIGHT PLATE BLACK 4 9/16 X 9 7/16		BNH1650	19	53	PLASTIC INSERT CAP ELLIPTICAL 2 X 4	BNH1794	3
19	10 LB TOP PLATE W/22" SLTR BAR 19 BLK WTS		BNH2020	1	54	PLASTIC STOPPER 1 ID X 1 3/8 OD X 1	BNH2053	2
20	ALUMINUM WASHER .390 ID X 1.500 OD X .150 THK		BNH1541	2	55	PLASTIC TUBE GUIDE W/LIP 2" SQ	BNH0058	1
21	BLACK NYLON PULLEY 3/8 X 1 1/2 X 4 1/2 (V3700)		BNH1694	2	56	PULL PIN 1/2 X 2 3/4 SHORT NOSE (YELLOW)	BNH0640	1
22	BLACK NYLON PULLEY 3/8 X 1 X 4 1/2		BNH0506	5	57	RUBBER DONUT 3/4 X 2 1/2	BNH0068	2
23	BLACK RUBBER GRIP 1/2 X 4 7/8		BNH1818	2	58	RUBBER GRIP 1 X 6 1/4	BNH0296	4
24	BUTTON HEAD SOCKET CAP SCREW Z/P 3/8-16 X 1		BNH2033	2	59	SAFETY TAPE ANTI-SLIP 4 9/16 X 7 1/4	BNH2054	4
25	COIL CHAIN Z/P 3/16" X 12		BNH2055	1	60	SHOULDER BOLT ALLOY 3/8 X 3/4	BNH0718	2
26	DECAL-ADJUST CABLE HERE		BNH1751	2	61	SNAP LINK Z/P 8MM X 80MM	BNH0065	3
27	DECAL-CAUTION WEIGHT TRAINING SAFETY...		BNH0126	1	62	SOCKET SET SCREW ALLOY 10-32 X 1/8	BNH0473	1
28	DECAL-DANGER TIGHTEN THIS RET..., 3/4 X 1-1/2		BNH0142	1	63	SOCKET SET SCREW ALLOY 3/8-16 X 3/4	BNH0476	3
29	DECAL-FOR BEST PERFORMANCE 1 1/4 X 1 1/2		BNH0143	1	64	SPLIT BOLT Z/P 1/2-13 X 1	BNH0479	1
30	DECAL-WEIGHT NUMBERS REF TP-10 (200 lbs)		BNH1542	1	65	SPLIT HEX TAP BOLT GR-5 B/O 1/2-13 X 3 1/2	BNH1131	1
31	FINISHED HEX NUT B/O 1/2-13		BNH0201	1	66	SPLIT LOCK WASHER Z/P 3/8"	BNH2032	13
32	FLAT PHILLIPS SCREW ZINC # 2 X 1/2		BNH1480	2	67	SPLIT WASHER Z/P 1/2"	BNH0572	2
33	FLAT WASHER SAE Z/P 3/8"		BNH2030	37	68	STRAP BRACKET 20 #SF20	BNH0562	2
34	FOAM ROLL 1" NYLINER BUSHING		BNH2025	4	69	TUFFSTUFF LOGO ALUMINUM SMALL	BNH1323	1
35	HEX HEAD CAP SCREW GR-5 Z/P 3/8-16 X 1		BNH2037	9	70	LOW ROW BAR 20"	BNH0294	1

DO NOT DISCARD THIS MANUAL



HOME LIFETIME WARRANTY

TuffStuff products are warranted to the retail purchaser to be free from defects in materials and workmanship. TuffStuff exclusive Home Lifetime Warranty coverage extends for the life of the product while owned by the original retail purchaser, and used only in a home or residential setting unless otherwise noted in the owner's manual.

This warranty does not cover:

1. TuffStuff products sold for and used in a commercial or institutional setting.
2. Any damage, failure or loss caused by accident, misuse, neglect, abuse, improper assembly, improper maintenance, or failure to follow instructions or warnings in the owner's manual and warning labels posted on the machine.
3. Use of products in a manner for which they were not designed.
4. Original product that is altered, or the use of replacement parts and components of another manufacturer other than TuffStuff.

Limitations:

The foregoing shall constitute the sole remedy of the purchaser and the sole liability of TuffStuff with regard to warranty, whether express or implied by operation of law or otherwise, including but not limited to any implied warranties of merchantability or fitness. TuffStuff shall in no event be liable for incidental or consequential losses, damages or expenses in connection with exercise products. TuffStuff's liability hereunder is expressly limited to the repairs or replacements of warranted defective parts.

Procedures:

Warranty service will be performed at TuffStuff's facility in Pomona, California. TuffStuff will have the option of either repair or replacement at no charge for any defective product. Purchaser is responsible for installation of repaired or replaced parts and all transportation and insurance costs on returned or replaced equipment to and from TuffStuff's facility in Pomona.

This warranty gives you specific legal rights and you may also have other rights, which may vary from state to state. Effective July 1, 2004.

This warranty is the final, complete and exclusive agreement of the parties with respect to the quality or performance of the equipment and no action for breach of this written warranty or any implied warranty shall be commenced more than one (1) year after the accrual of the cause of action. No modification of this warranty or waiver of its terms shall be binding on either party unless approved in writing by an authorized representative of the party. Contact TuffStuff at 1325 E. Franklin Avenue, Pomona, California 91766, before returning any defective equipment.

Note: Retain your sales receipt and be sure to mail in the warranty registration card to insure that a permanent record of your purchase is on file with the factory and to avoid unnecessary delays in warranty service.

TuffStuff Fitness Equipment, Inc.

1325 E. Franklin Avenue

Pomona, CA 91766, USA

Ph: 909-629-1600 Fax: 909-629-4967

E-mail: service@tuffstuff.net Net: www.tuffstuff.net