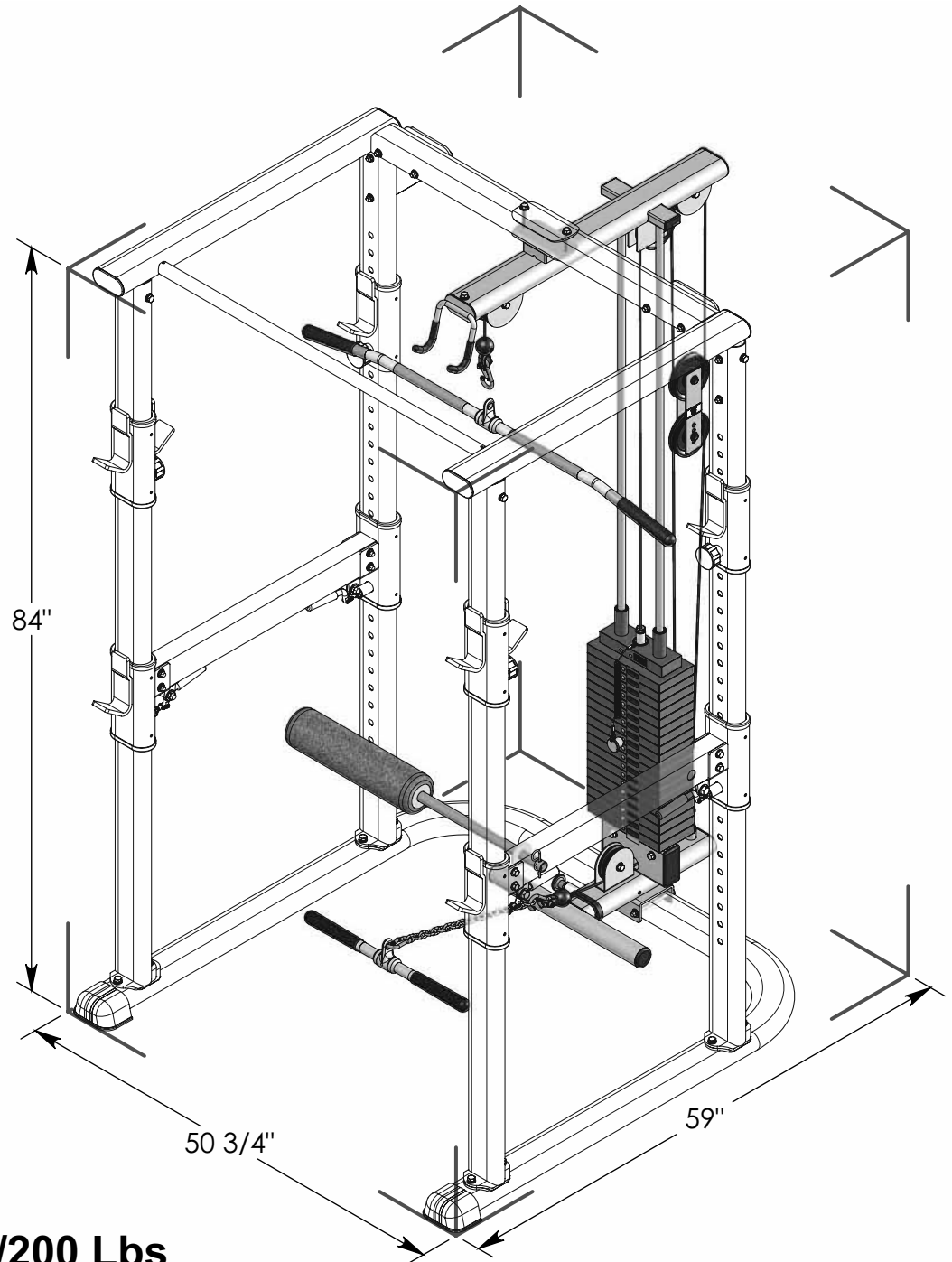


OWNER'S MANUAL



RHL-305WS

**High/Low Pulley W/200 Lbs
Steel Wt Stack (for RPR-265)**



AMERICA'S PREMIER EXERCISE EQUIPMENT

Introduction

About the RHL-305WS High/Low Pulley W/200 Lbs Steel Wt Stack (for RPR-265)

Congratulations on your new purchase of the **High/Low Pulley W/200 Lbs Steel Wt Stack (for RPR-265)**. We hope you are completely satisfied with this product and wish you many years of enjoyment.

Tuff Stuff Equipment

This Tuffstuff product has been built to precise quality standards and has been carefully packaged to ensure that damage will not occur during shipment. The Home Lifetime Warranty and signature indicating final inspection has been conducted by our line foreman, is an expression of our confidence in the completeness, the materials, and workmanship of this product.

Warranty

SEE A COPY OF WARRANTY ON BACK PAGE.

Registration Card

To avoid unnecessary delays in warranty service and to insure that a permanent record of your purchase is on file with our factory, be sure to complete the warranty registration card and send it to TuffStuff Fitness Equipment today.

Specifications

1. Maximum Wt. Capacity - 200 lbs.
2. Total Machine Weight - 283 lbs.
3. Footprint (LWH) - See Front Cover.

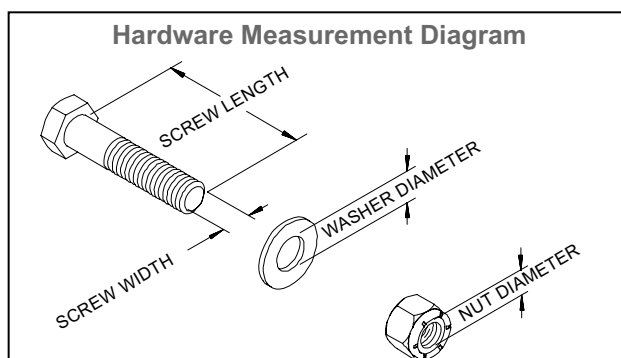
Note: Due to continuing product improvements, specifications and designs are subject to change without notice.

Prior to the Assembly of the High/Low Pulley W/200 Lbs Steel Wt Stack (for RPR-265)

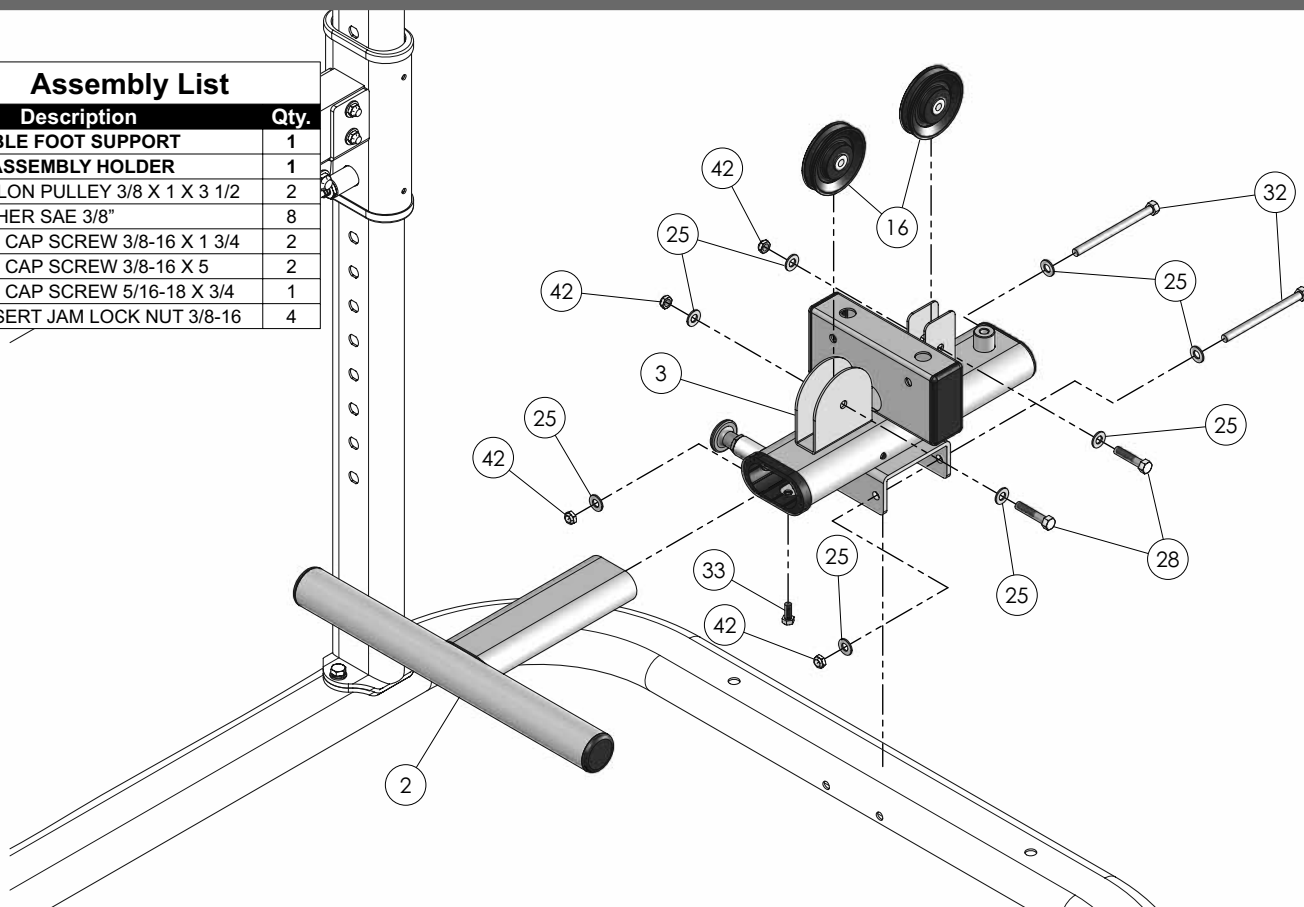
1. We advise you to consult your local Tuff Stuff retailer if you should have a question or problem regarding the proper assembly of this unit.

Tool Requirements

1. One 7/8" combination wrench
2. One 3/4" combination wrench
3. One 9/16" combination wrench
4. One ratchet
5. One 9/16" socket
6. One rubber mallet
7. Windex or household glass cleaner
8. Measuring tape
9. Utility knife

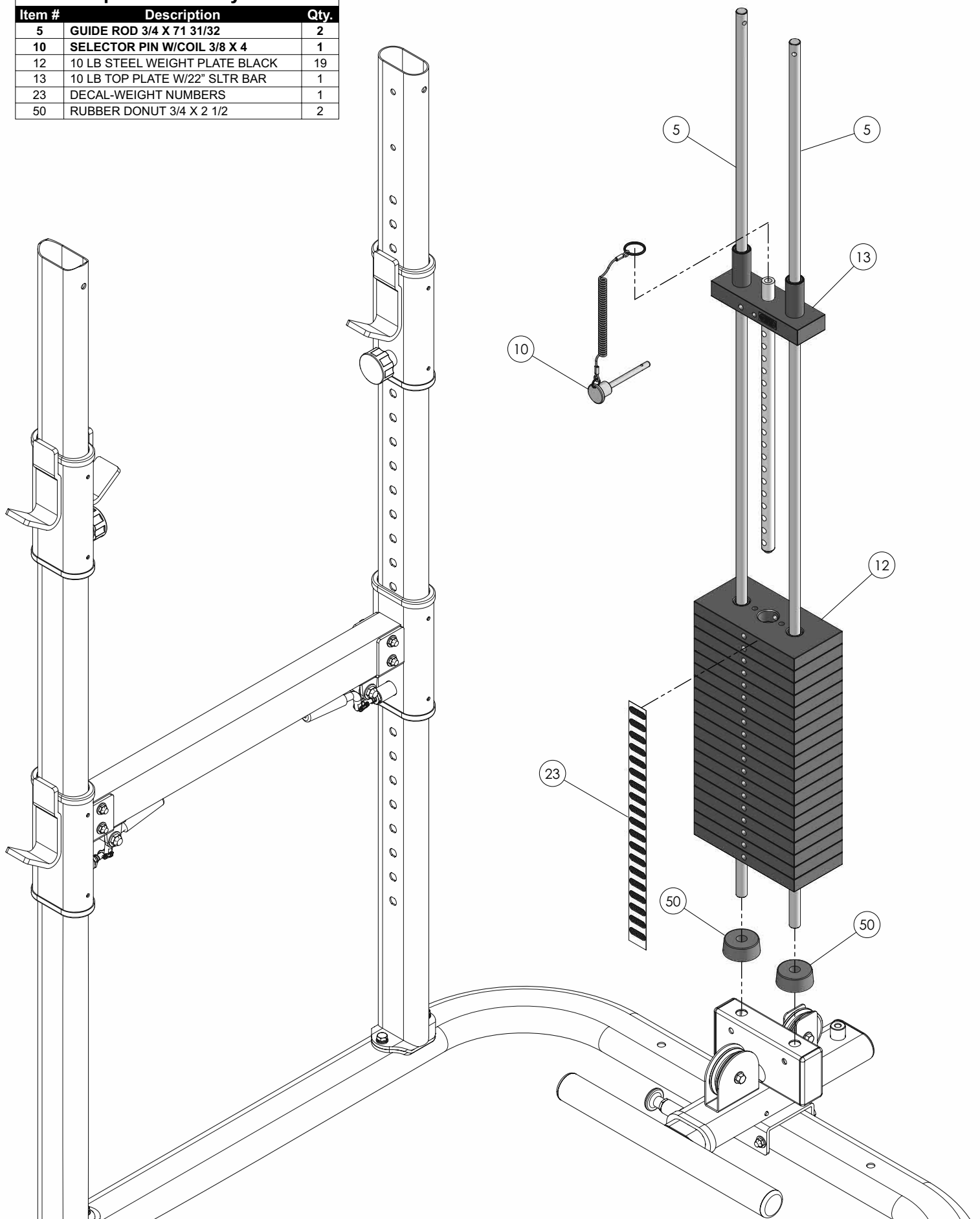


Step 1 Assembly List		
Item #	Description	Qty.
2	ADJUSTABLE FOOT SUPPORT	1
3	BOTTOM ASSEMBLY HOLDER	1
16	BLACK NYLON PULLEY 3/8 X 1 X 3 1/2	2
25	FLAT WASHER SAE 3/8"	8
28	HEX HEAD CAP SCREW 3/8-16 X 1 3/4	2
32	HEX HEAD CAP SCREW 3/8-16 X 5	2
33	HEX HEAD CAP SCREW 5/16-18 X 3/4	1
42	NYLON INSERT JAM LOCK NUT 3/8-16	4



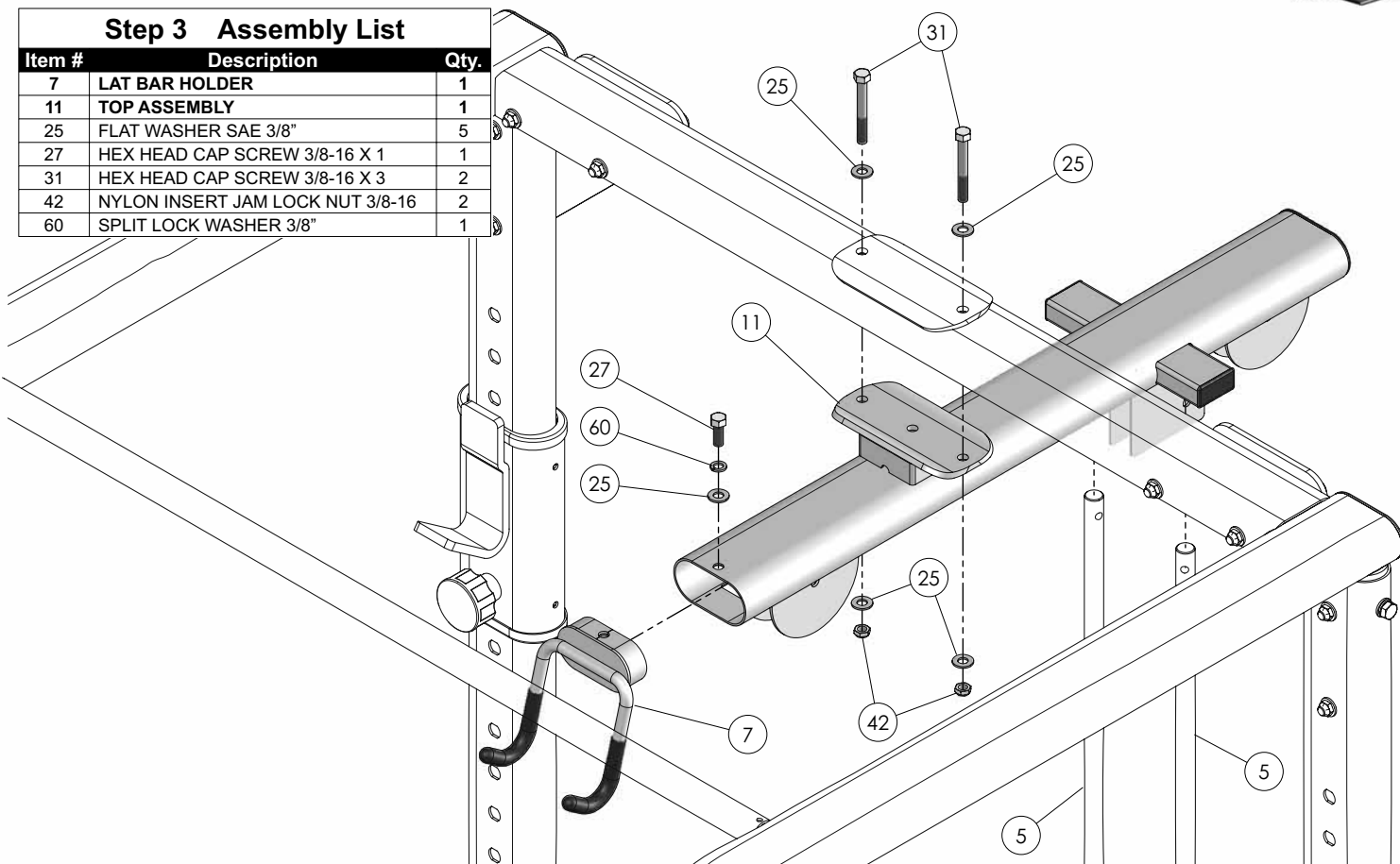
Step 2 Assembly List

Item #	Description	Qty.
5	GUIDE ROD 3/4 X 71 31/32	2
10	SELECTOR PIN W/COIL 3/8 X 4	1
12	10 LB STEEL WEIGHT PLATE BLACK	19
13	10 LB TOP PLATE W/22" SLTR BAR	1
23	DECAL-WEIGHT NUMBERS	1
50	RUBBER DONUT 3/4 X 2 1/2	2




Step 3 Assembly List

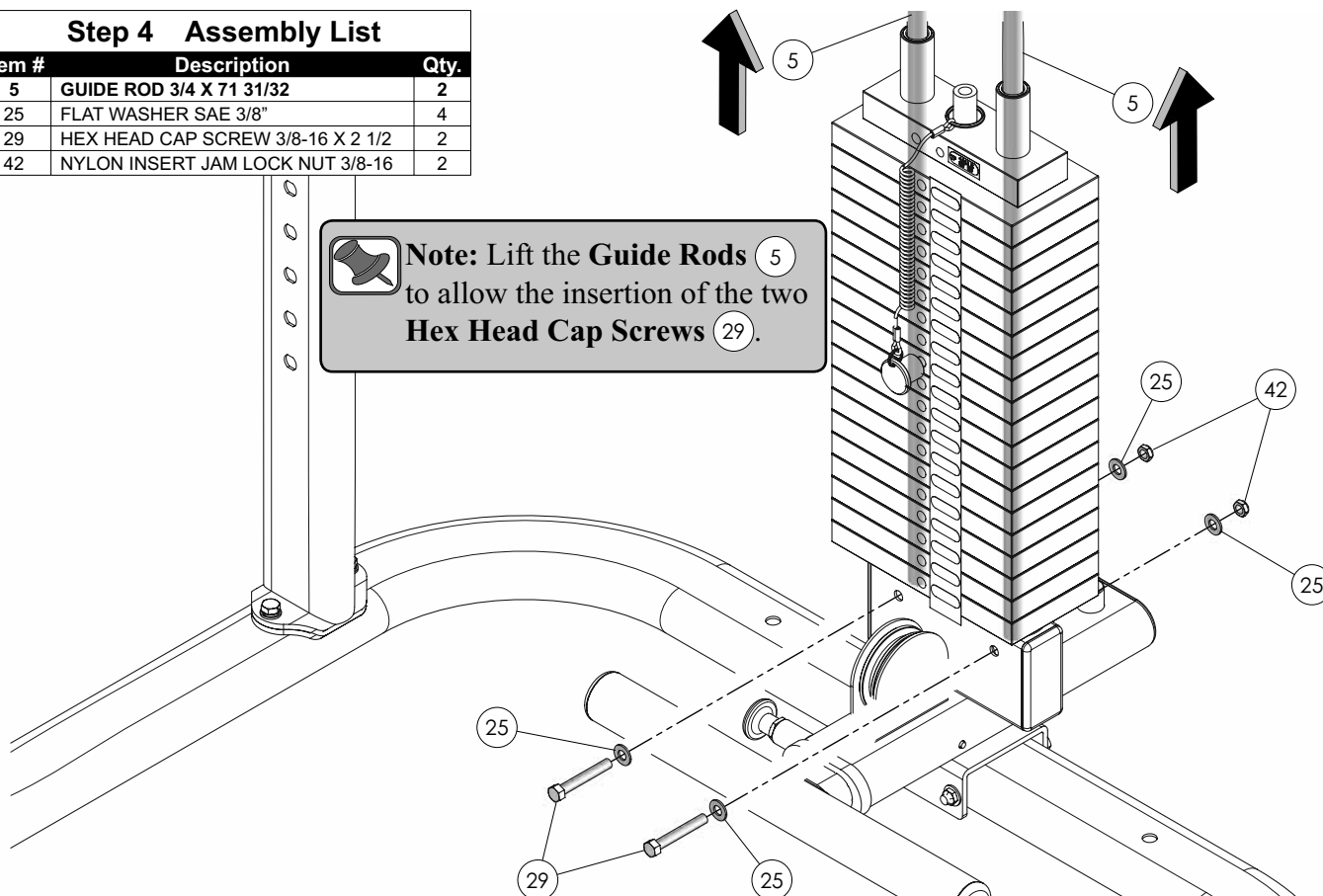
Item #	Description	Qty.
7	LAT BAR HOLDER	1
11	TOP ASSEMBLY	1
25	FLAT WASHER SAE 3/8"	5
27	HEX HEAD CAP SCREW 3/8-16 X 1	1
31	HEX HEAD CAP SCREW 3/8-16 X 3	2
42	NYLON INSERT JAM LOCK NUT 3/8-16	2
60	SPLIT LOCK WASHER 3/8"	1



Step 4 Assembly List

Item #	Description	Qty.
5	GUIDE ROD 3/4 X 71 31/32	2
25	FLAT WASHER SAE 3/8"	4
29	HEX HEAD CAP SCREW 3/8-16 X 2 1/2	2
42	NYLON INSERT JAM LOCK NUT 3/8-16	2

 **Note:** Lift the Guide Rods (5) to allow the insertion of the two Hex Head Cap Screws (29).



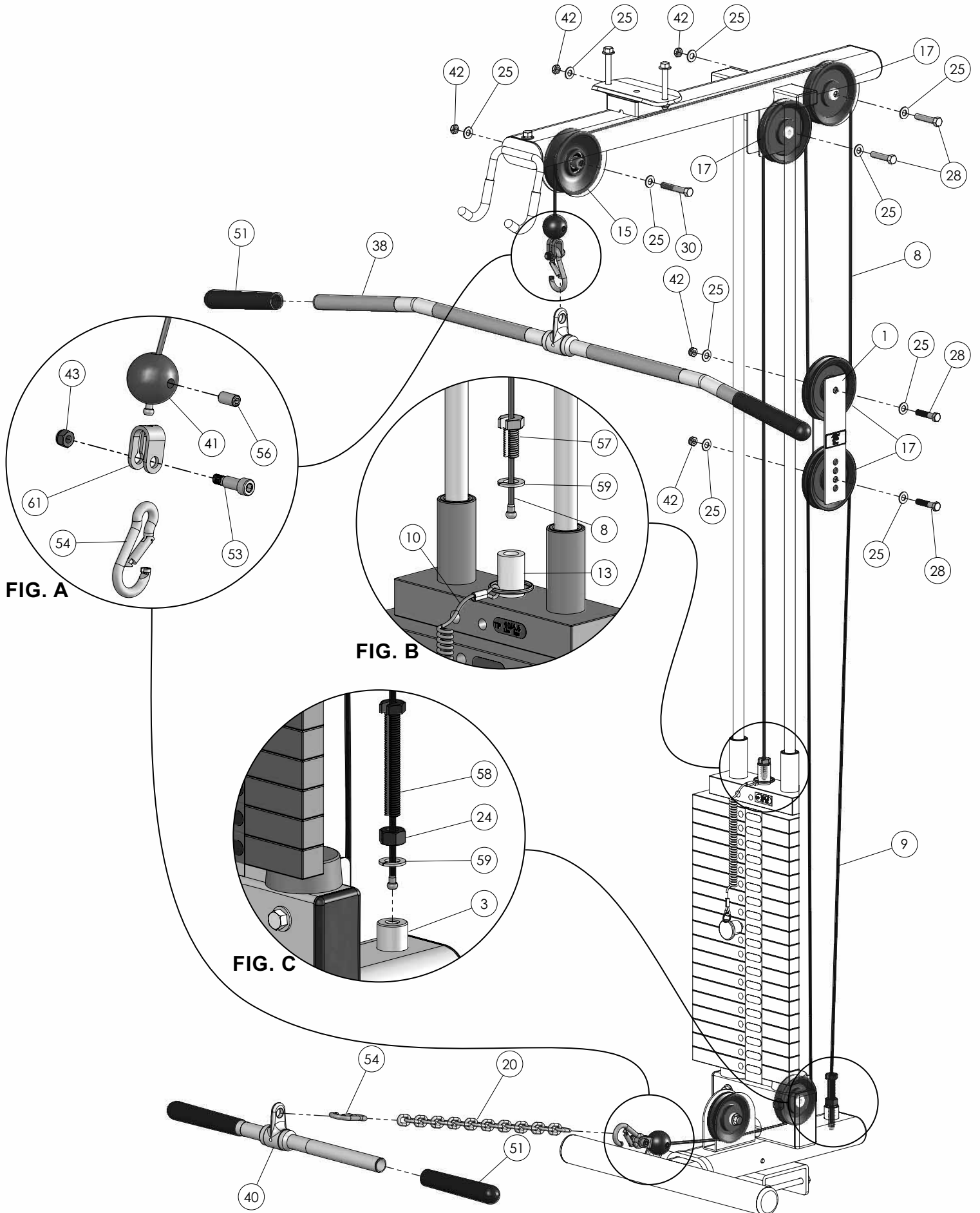
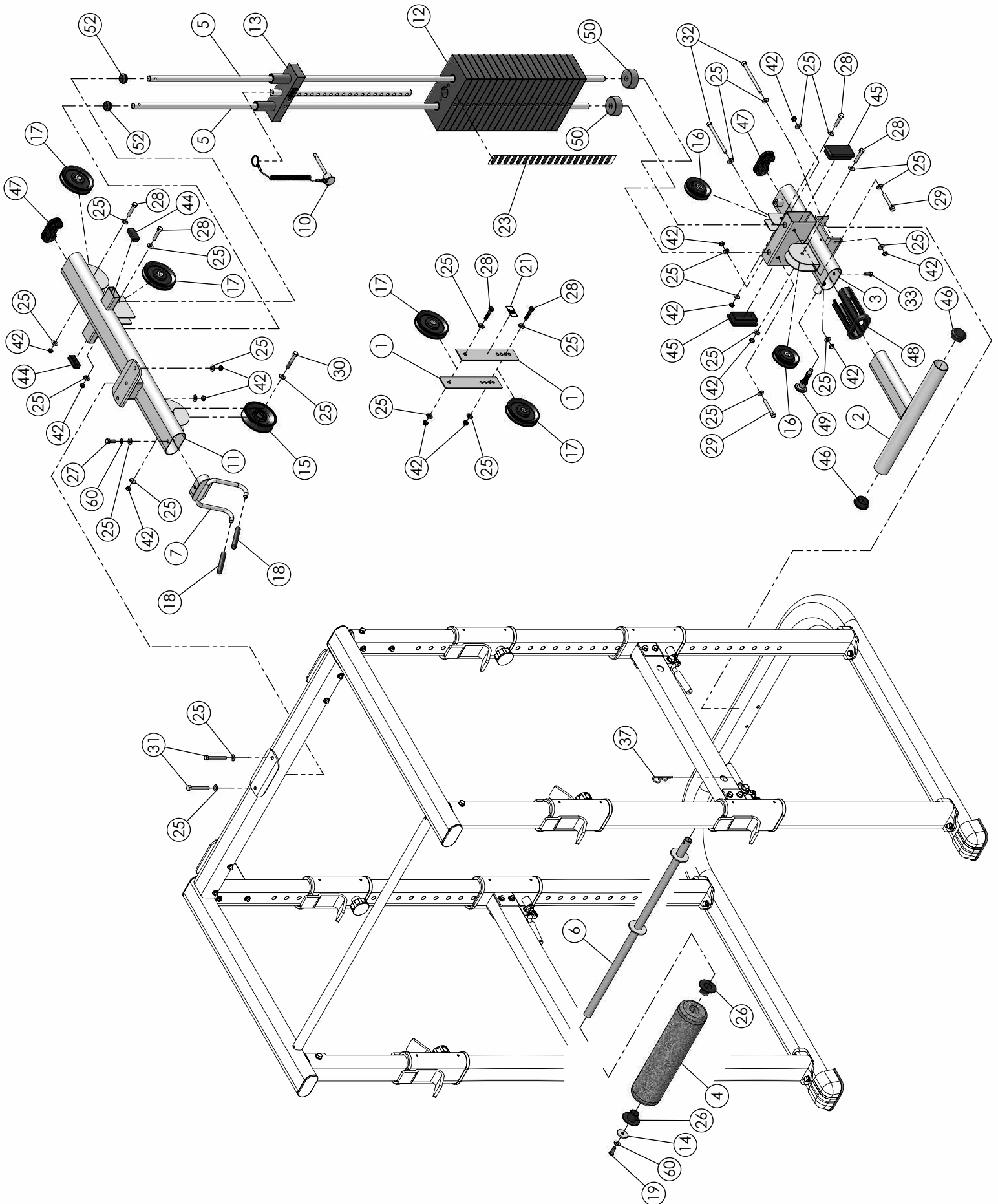


FIG. A

FIG. B

FIG. C



COLOR CHART
BOLD FONT = SUB-ASSEMBLY PARTS

BLACK= HARDWARE

RHL-305WS

Parts List

REVO

ITEM	DESCRIPTION	REV	PART NO.	QTY	ITEM	DESCRIPTION	PART NO.	QTY
1	ADJ PULLEY PLATE 1/8 X 2 X 9	0	UP0092	2	32	HEX HEAD CAP SCREW GR-5 Z/P 3/8-16 X 5	BNH2051	2
2	ADJUSTABLE FOOT SUPPORT	0	UP3959	1	33	HEX HEAD CAP SCREW GR-5 Z/P 5/16-18 X 3/4	BNH2049	1
3	BOTTOM ASSEMBLY HOLDER	0	UP3960	1	34	HEX KEY 3/16"	BNH0371	1
4	FOAM FOOT ROLL 1 X 4 X 16 W/VINYL	0	UP3958	1	35	HEX KEY ALLOY 3/32"	BNH0373	1
5	GUIDE ROD 3/4 X 71 31/32	0	UP3961	2	36	HEX KEY ALLOY 7/32"	BNH0575	1
6	HOLD DOWN BAR	0	UP3962	1	37	HITCH PIN 210 WW	BNH0568	1
7	LAT BAR HOLDER	0	UP3744	1	38	LAT BAR 48"	BNH0295	1
8	LAT CABLE	0	UP3963	1	39	LITHIUM GREASE SMALL CONTAINER	BNH0705	1
9	LOW ROW CABLE	0	UP3964	1	40	LOW ROW BAR 20"	BNH0294	1
10	SELECTOR PIN W/COIL 3/8 X 4	0	UP3035	1	41	NYLON BALL W/THREADED SOCKET 1 3/4 X 5/16	BNH0022	2
11	TOP ASSEMBLY	0	UP3965	1	42	NYLON INSERT JAM LOCK NUT Z/P 3/8-16	BNH2026	13
12	10 LB STEEL WEIGHT PLATE BLACK 4 9/16 X 9 7/16		BNH1650	19	43	NYLON INSERT LOCK NUT Z/P 5/16-18	BNH2056	2
13	10 LB TOP PLATE W/22" SLTR BAR 19 BLK WTS		BNH2020	1	44	PLASTIC INSERT CAP 1" X 2"	BNH0005	2
14	ALUMINUM WASHER .390 ID X 1.500 OD X .150 THK		BNH1541	1	45	PLASTIC INSERT CAP 2 X 3	BNH0052	2
15	BLACK NYLON PULLEY 3/8 X 1 1/2 X 4 1/2 (V3700)		BNH1694	1	46	PLASTIC INSERT CAP 2" RD	BNH0004	2
16	BLACK NYLON PULLEY 3/8 X 1 X 3 1/2		BNH0553	2	47	PLASTIC INSERT CAP ELLIPTICAL 2 X 4	BNH1794	2
17	BLACK NYLON PULLEY 3/8 X 1 X 4 1/2		BNH0506	4	48	PLASTIC INSERT ELLIPTICAL GUIDE (2X4)	BNH1760	1
18	BLACK RUBBER GRIP 1/2 X 4 7/8		BNH1818	2	49	PULL PIN 1/2 X 2 7/8 (YELLOW)	BNH0641	1
19	BUTTON HEAD SOCKET CAP SCREW Z/P 3/8-16 X 1		BNH2033	1	50	RUBBER DONUT 3/4 X 2 1/2	BNH0068	2
20	COIL CHAIN Z/P 3/16 X 21		BNH1262	1	51	RUBBER GRIP 1 X 6 1/4	BNH0296	4
21	DECAL-ADJUST CABLE HERE		BNH0789	2	52	RUBBER GROMMET 3/4" ID (2867-012)	BNH0401	2
22	DECAL-DANGER TIGHTEN THIS RET...		BNH0142	1	53	SHOULDER BOLT ALLOY 3/8 X 3/4	BNH0718	2
23	DECAL-WEIGHT NUMBERS REF TP-10 (200 lbs)		BNH1542	1	54	SNAP LINK Z/P 8MM X 80MM	BNH0065	3
24	FINISHED HEX NUT B/O 1/2-13		BNH0201	1	55	SOCKET SET SCREW ALLOY 10-32 X 1/8	BNH0473	1
25	FLAT WASHER SAE Z/P 3/8"		BNH2030	28	56	SOCKET SET SCREW ALLOY 3/8-16 X 3/4	BNH0476	2
26	FOAM ROLL 1" NYLINER BUSHING		BNH2025	2	57	SPLIT BOLT Z/P 1/2-13 X 1	BNH0479	1
27	HEX HEAD CAP SCREW GR-5 Z/P 3/8-16 X 1		BNH2037	1	58	SPLIT HEX TAP BOLT GR-5 B/O 1/2-13 X 3 1/2	BNH1131	1
28	HEX HEAD CAP SCREW GR-5 Z/P 3/8-16 X 1 3/4		BNH2040	6	59	SPLIT LOCK WASHER Z/P 1/2"	BNH0572	2
29	HEX HEAD CAP SCREW GR-5 Z/P 3/8-16 X 2 1/2		BNH2044	2	60	SPLIT LOCK WASHER Z/P 3/8"	BNH2032	2
30	HEX HEAD CAP SCREW GR-5 Z/P 3/8-16 X 2 3/8		BNH2043	1	61	STRAP BRACKET 20 #SF20	BNH0562	2
31	HEX HEAD CAP SCREW GR-5 Z/P 3/8-16 X 3		BNH2046	2	62	DECAL-FOR BEST PERFORMANCE	BNH0143	1